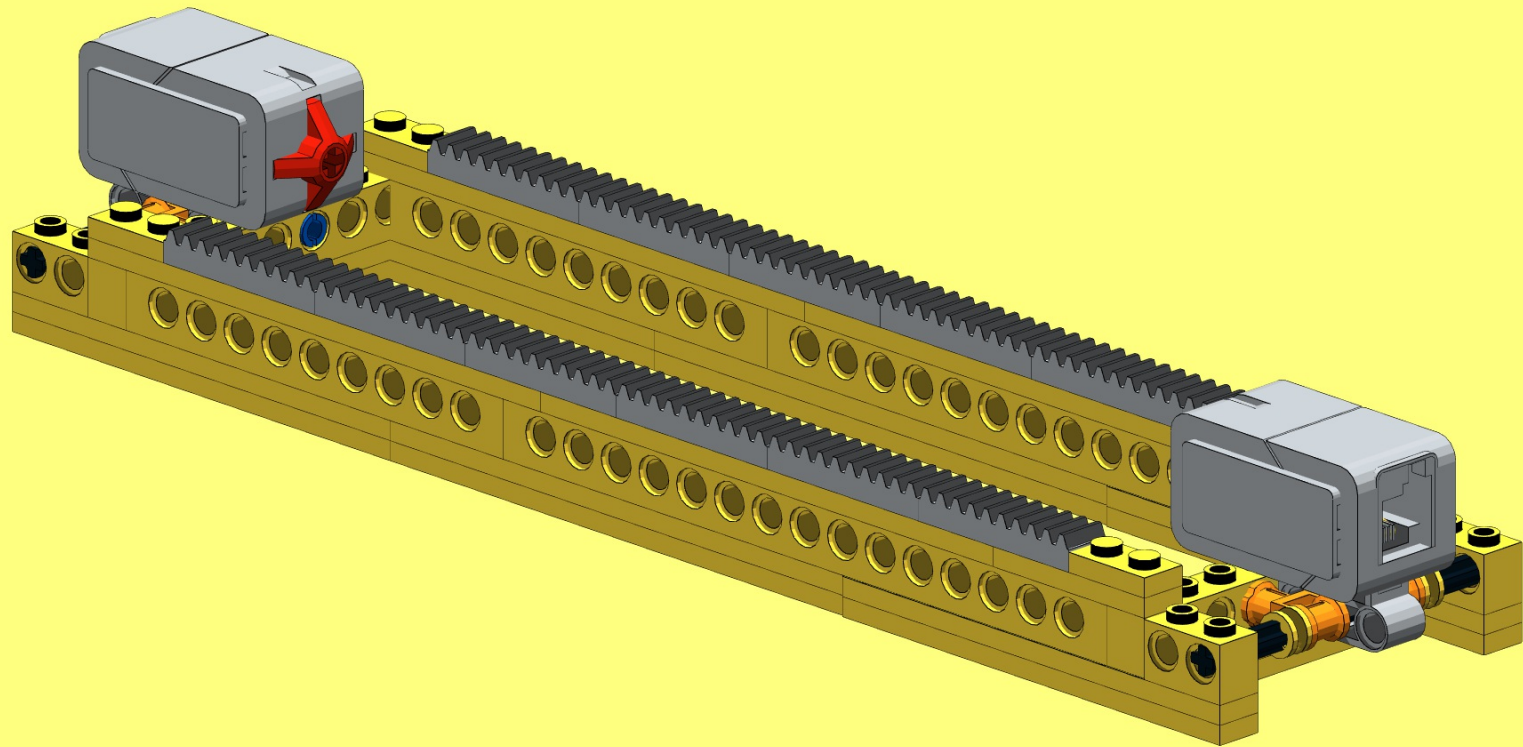
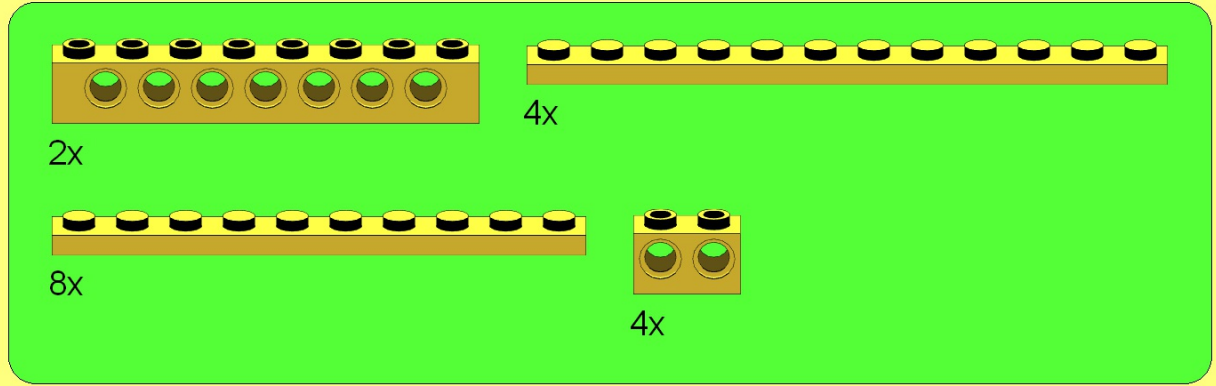
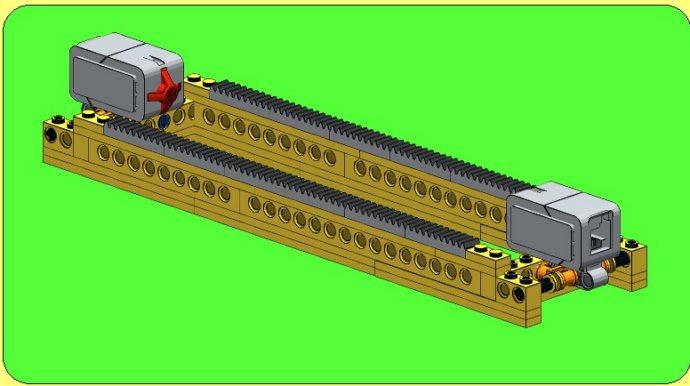
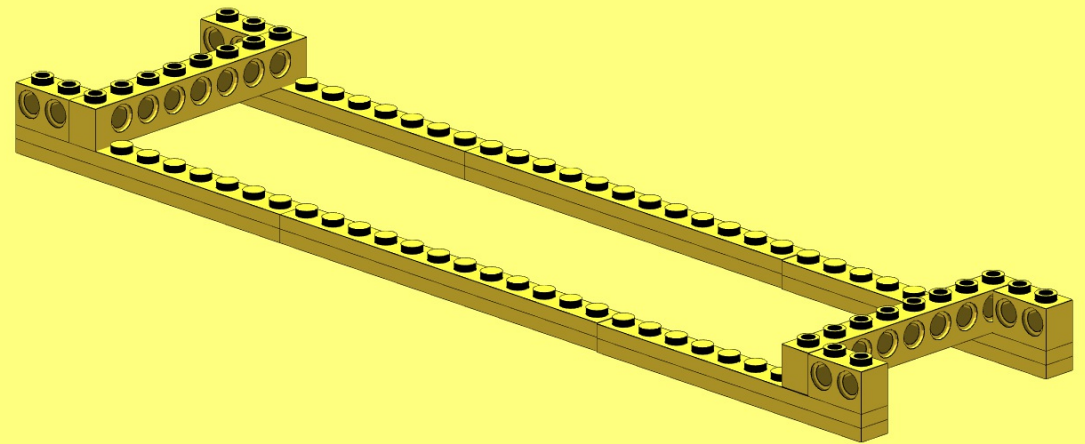


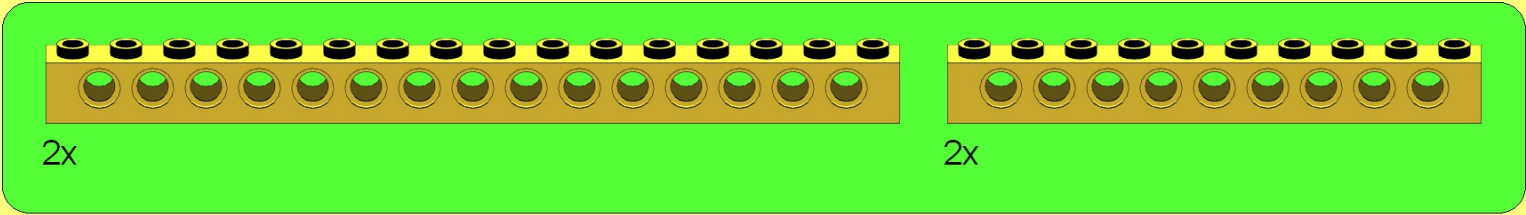
Gantry



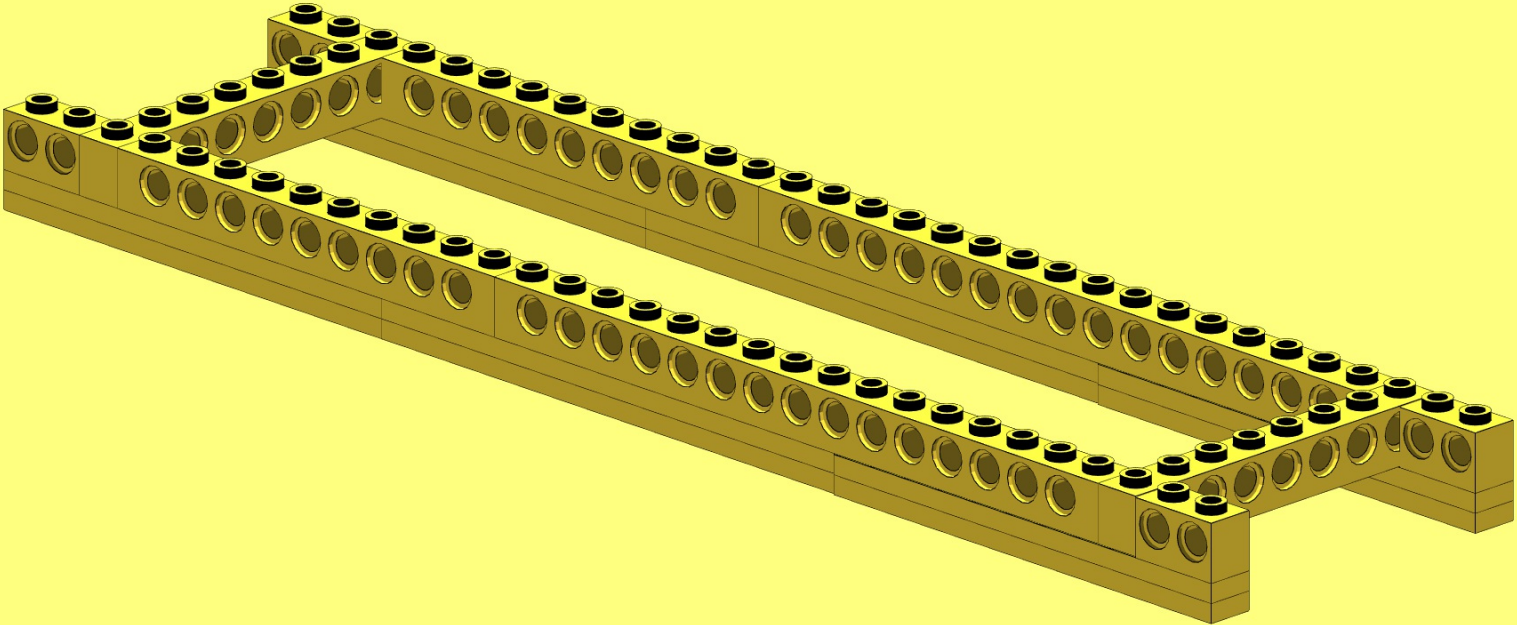


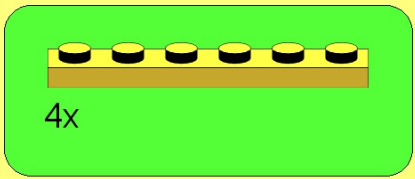
1



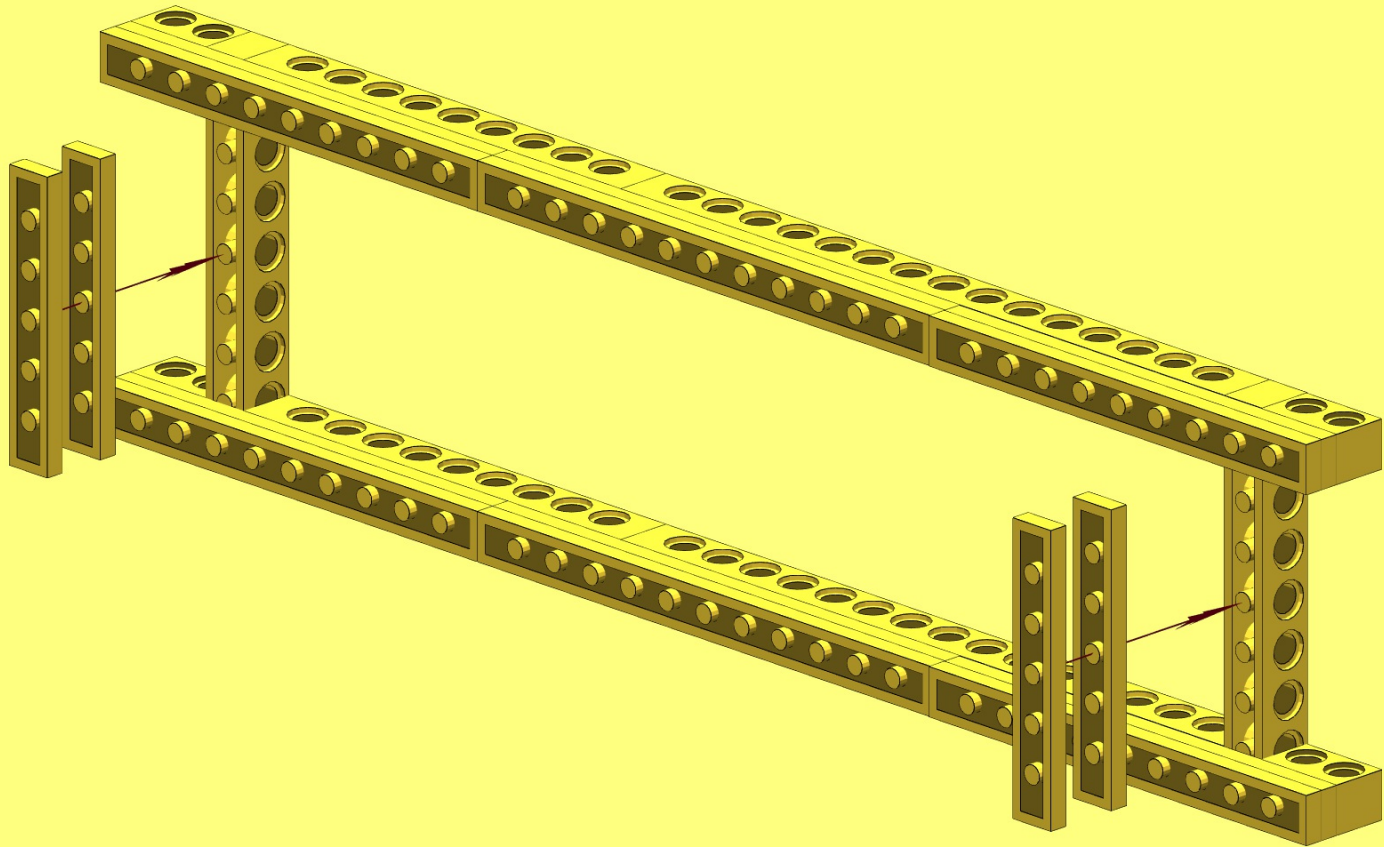
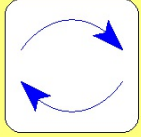


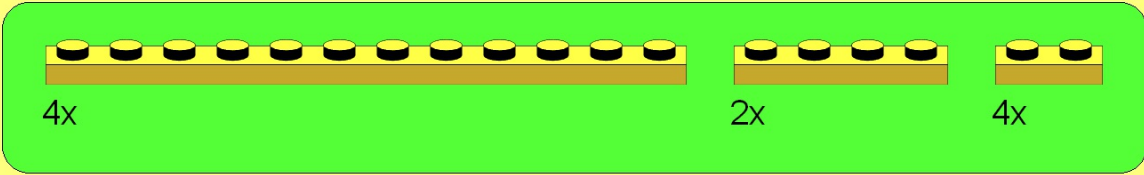
2



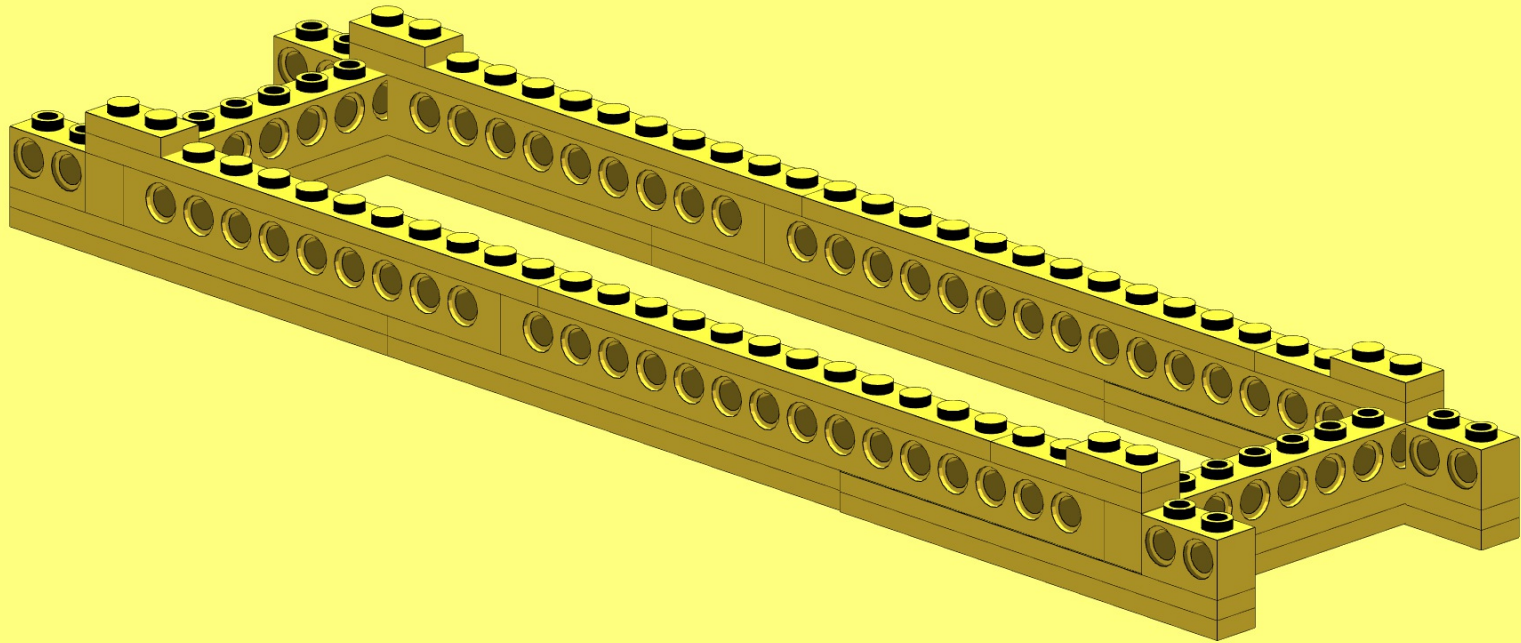


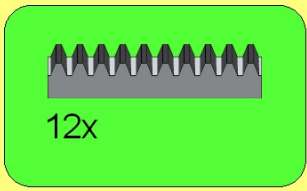
3



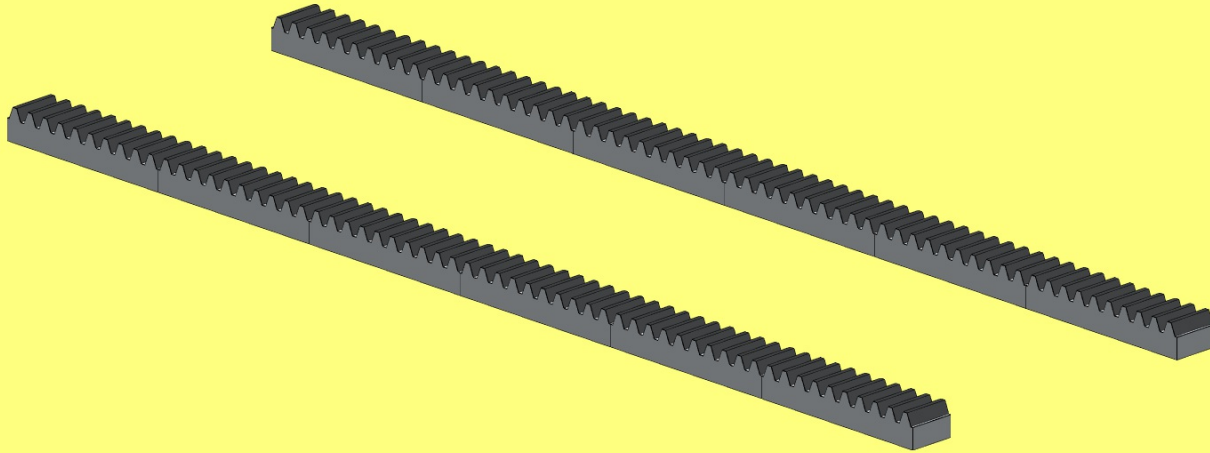


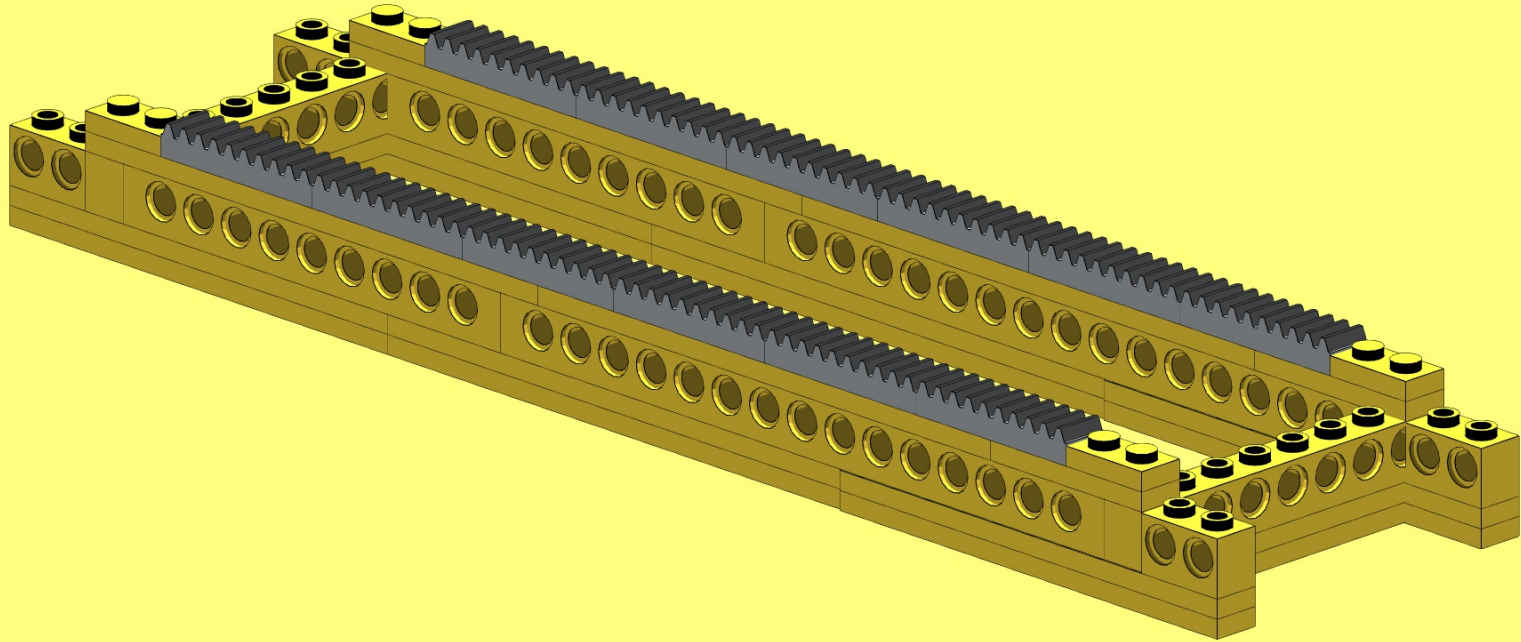
4





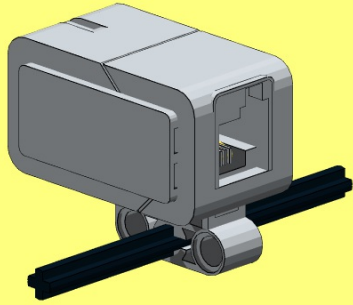
1



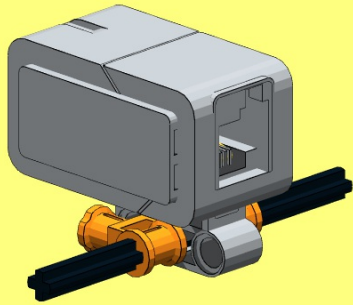


		8		
1x	1x		2x	2x
				
			2x	

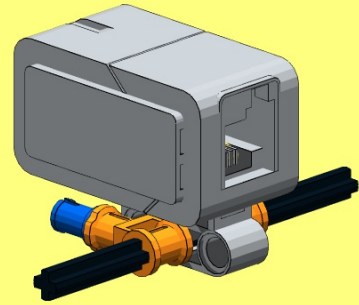
1



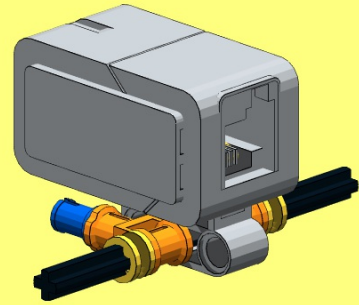
2

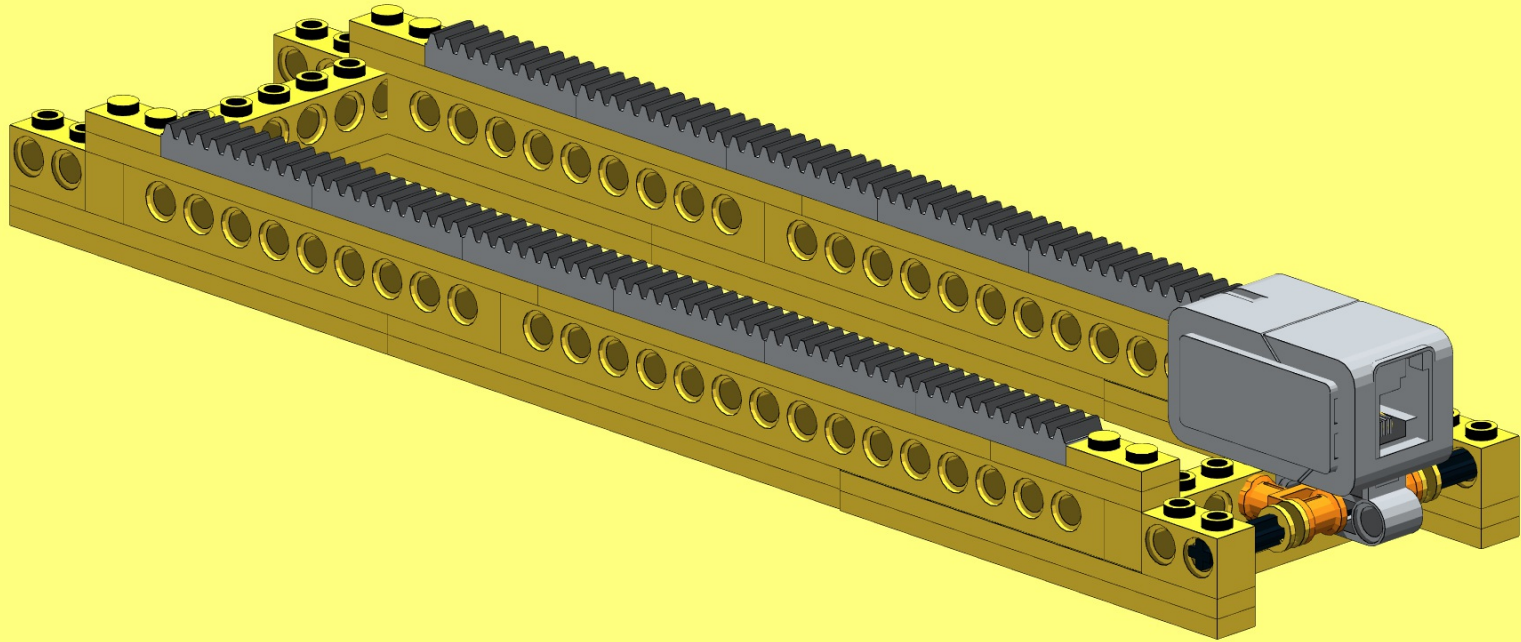


3



4

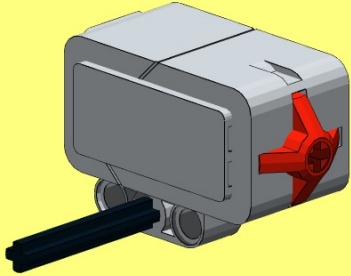




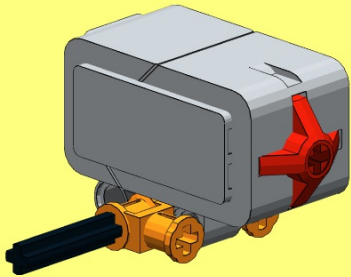
Parts list for step 1:

- 1x Grey motor housing
- 1x Black axle
- 2x Blue pins
- 2x Gold bushings
- 2x Gold gears

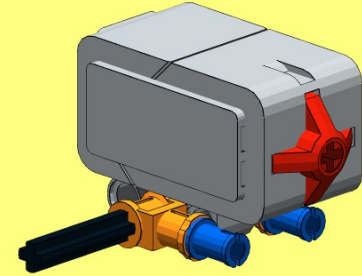
1



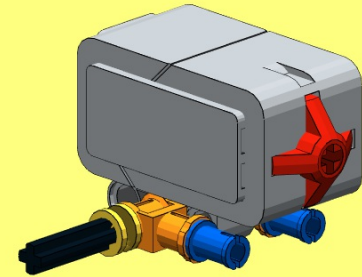
2

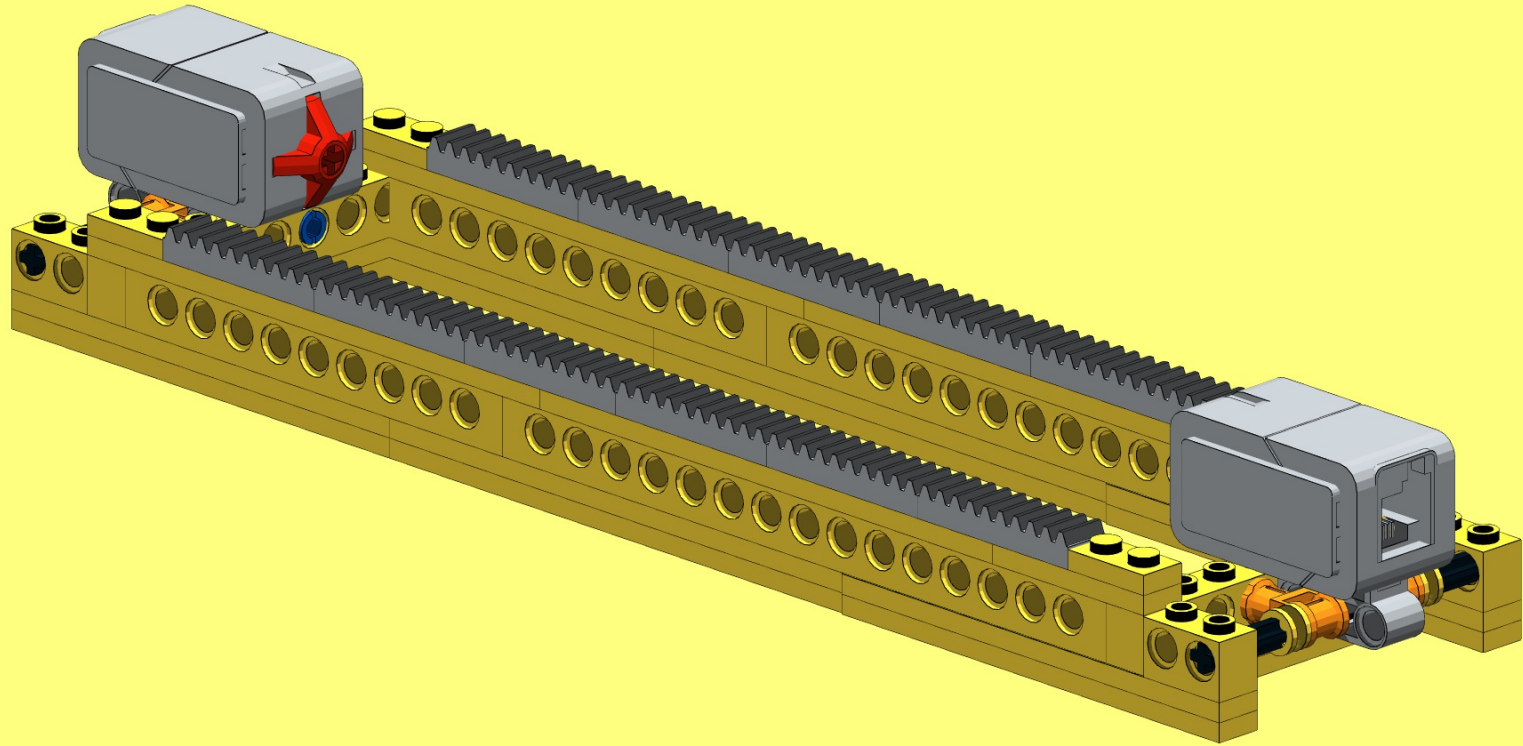


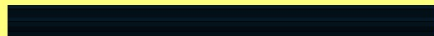
3



4







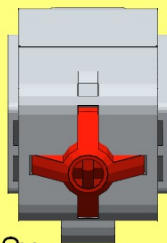
2x
3707



4x
6562



4x
32039



2x
95648



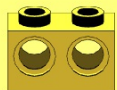
12x
3743



4x
32123



4x
3023



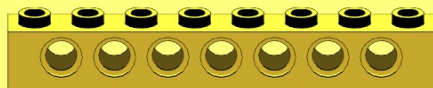
4x
32000



2x
3710



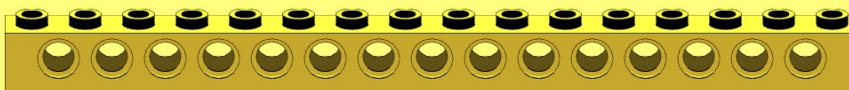
4x
3666



2x
3702



8x
4477



2x
3703



2x
2730



8x
60479